

4

3

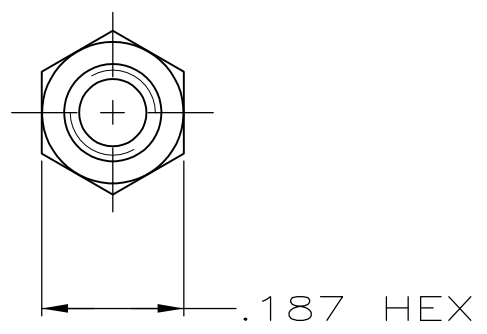
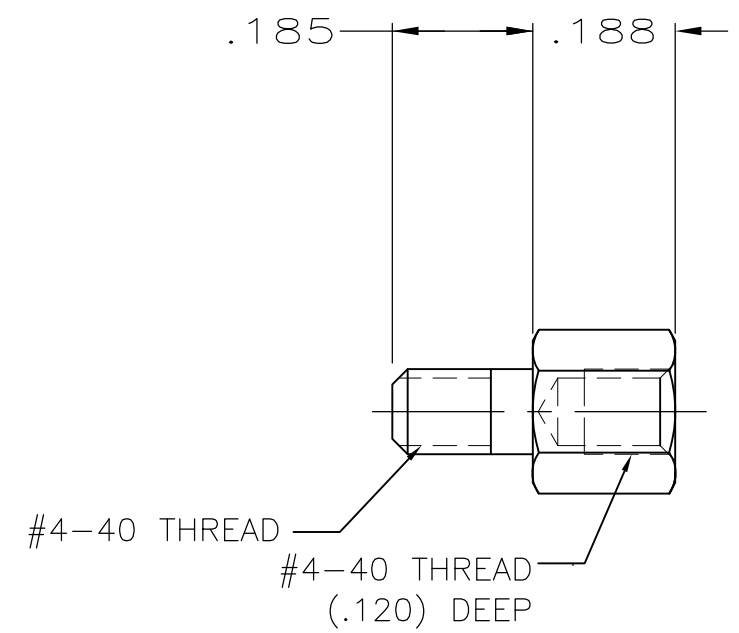
2

1


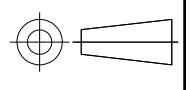
THIS DRAWING IS UNPUBLISHED. RELEASED FOR PUBLICATION  
 © COPYRIGHT - By - ALL RIGHTS RESERVED.

LOC	DIST	REVISIONS					
GP	00	P	LTR	DESCRIPTION	DATE	DWN	APVD
		P		REVISED PER ECO-11-004835	11MAR11	RK	HMR

1 ZINC PLATED .000200-.000400 THICK CLEAR CHROMATE COATING.



5747877-3  
 PART NUMBER

THIS DRAWING IS A CONTROLLED DOCUMENT.		DWN	R.RICHARDSON	17JUN05	 TE Connectivity												
DIMENSIONS: INCHES		CHK	C.ROHDE	17JUN05													
		TOLERANCES UNLESS OTHERWISE SPECIFIED:		APVD	M.WALMSLEY	17JUN05	NAME	SCREWLOCK, FEMALE, SPECIAL, AMPLIMITE									
MATERIAL		FINISH		PRODUCT SPEC		APPLICATION SPEC		RESTRICTED TO									
STEEL PER ASTM A108		1		-		-		-									
CUSTOMER DRAWING				WEIGHT	-	SIZE	A3	CAGE CODE	00779	DRAWING NO	C-5747877	SCALE	4:1	SHEET	1 OF 1	REV	P